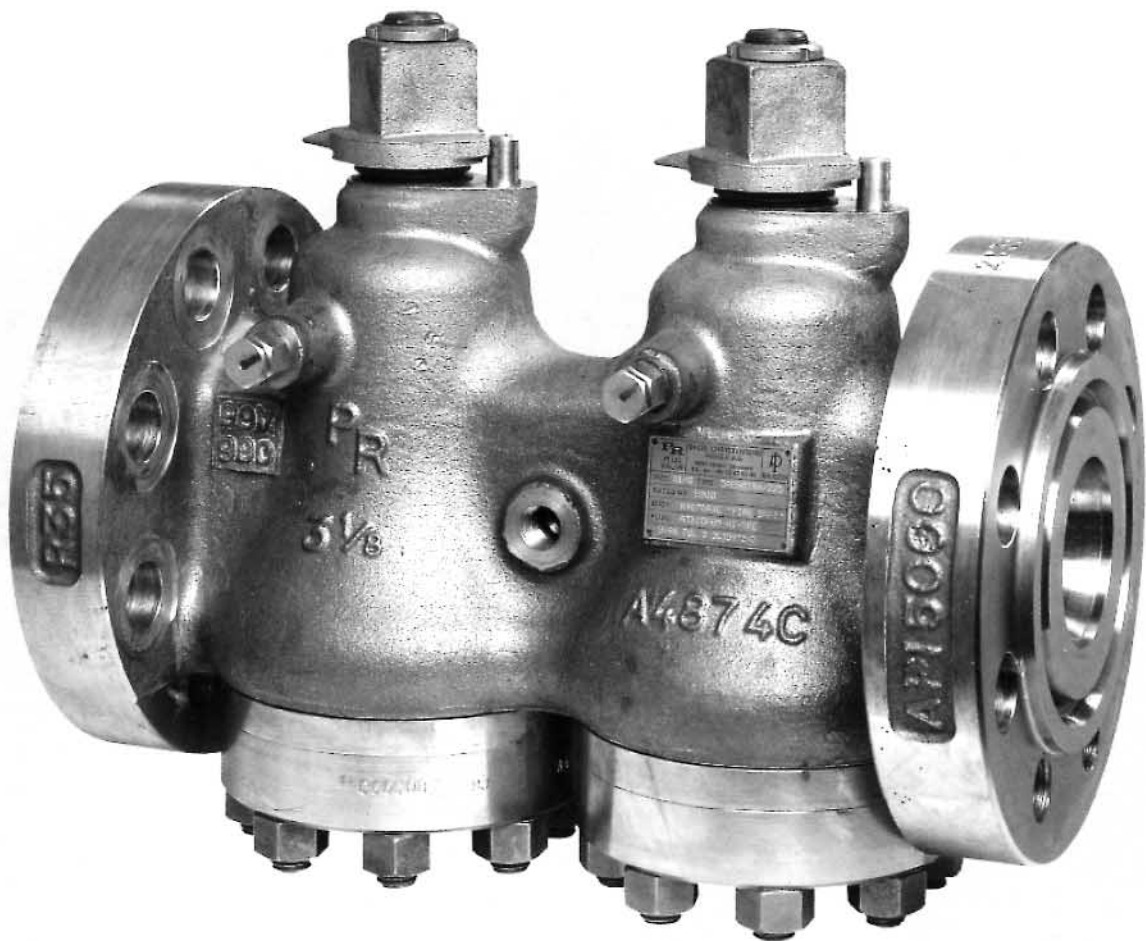


"Pressure Balanced Design"

PR

Double block and bleed taper twin plug valves



ISO 9001 CERTIFIED

Patent no.:
DK. 9500167
GB. 2.300.694
I. 1.284.003
USA. 5.669.415

Sole-Distributors

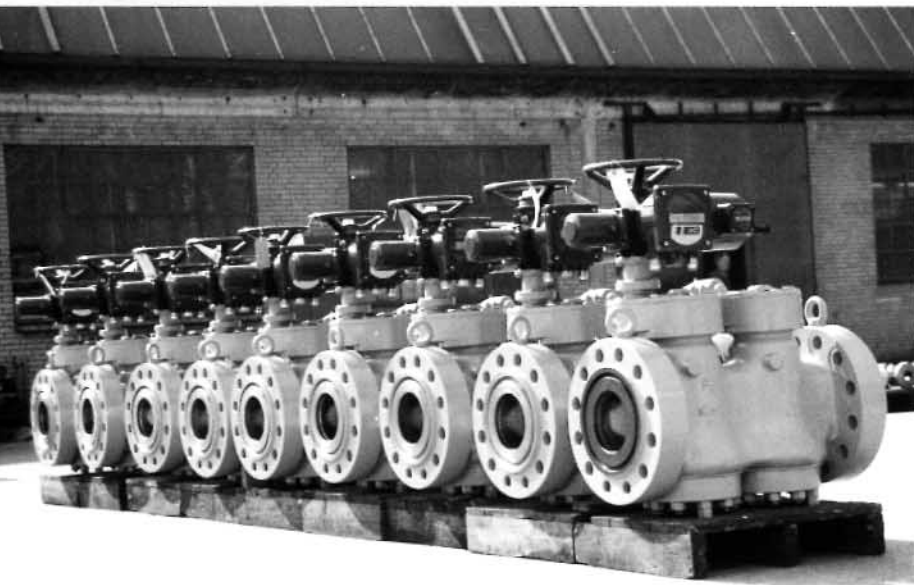
New design of DOUBLE BLOCK AND BLEED VALVE

For water, oil and gas application.

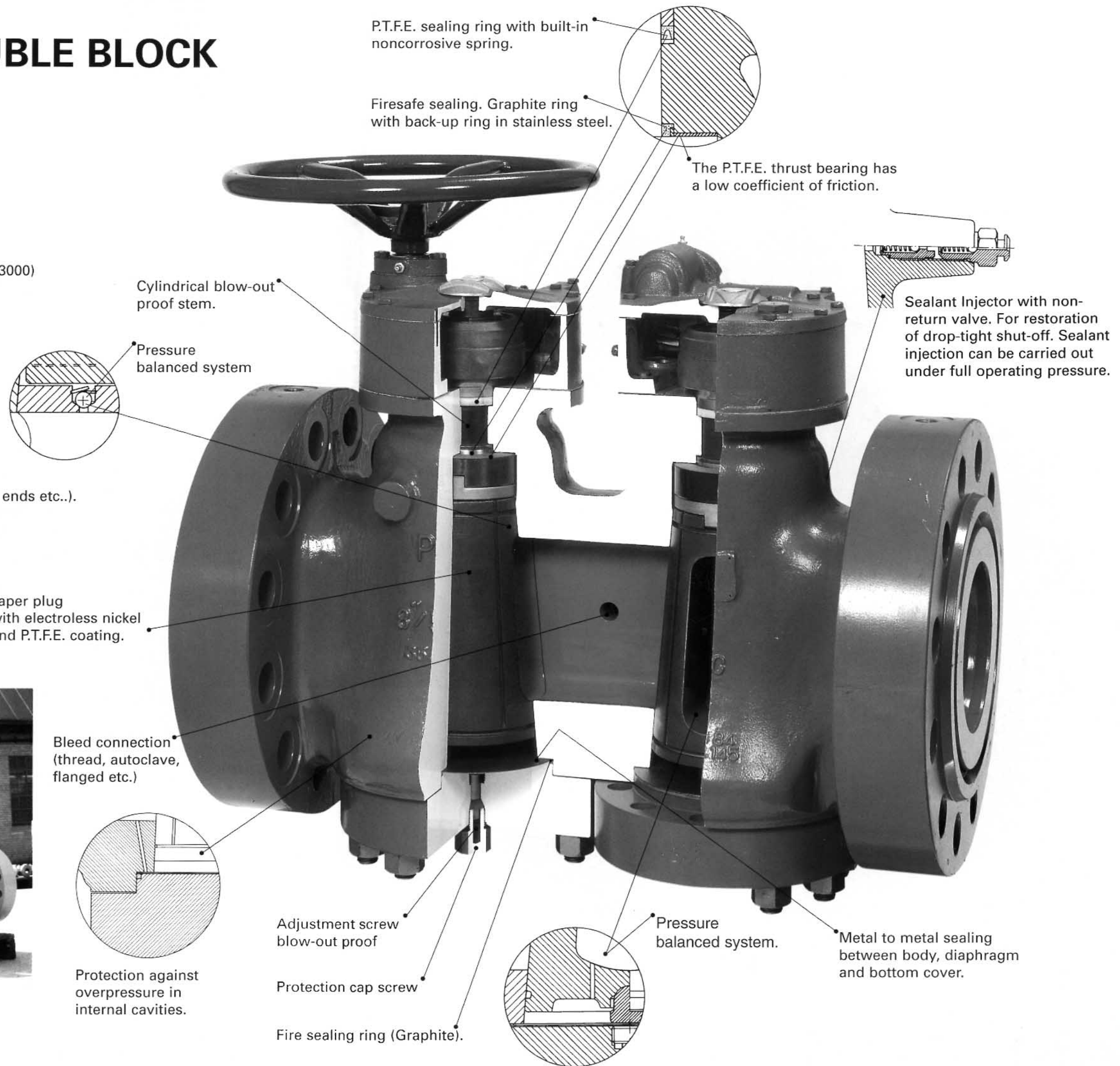
Manufactured according to API 6D and API 6A.

The Features are:

- Standard face to face dimensions for Class 900 (API 3000) and upwards allowing for easy retrofit.
- Compact design: space and weight saving.
- Taper plug valve in pressure balanced design.
- Primary seals: metal to metal.
- Secondary seals: Lubricant.
- Double block and bleed.
- Two independent closing members.
- Blow-out proof stem with three unique seals.
- Protection against overpressure in internal cavities.
- Excellent flow characteristics.
- Fire safe tested (Acc. to API 6FA and BS 6755).
- All standard sizes and pressure stages/classes.
- End connections as desired (Flange, Clamp, Welding ends etc..).
- Broad selection of materials.
- 90° turning of the plug to open/close.
- Low operating torque.
- Direct or worm gear operation.
- Vertical or horizontal gear - operating stem.
- Can be installed in any position required.



PR taper Twin Plug Valves fitted with electric actuators.

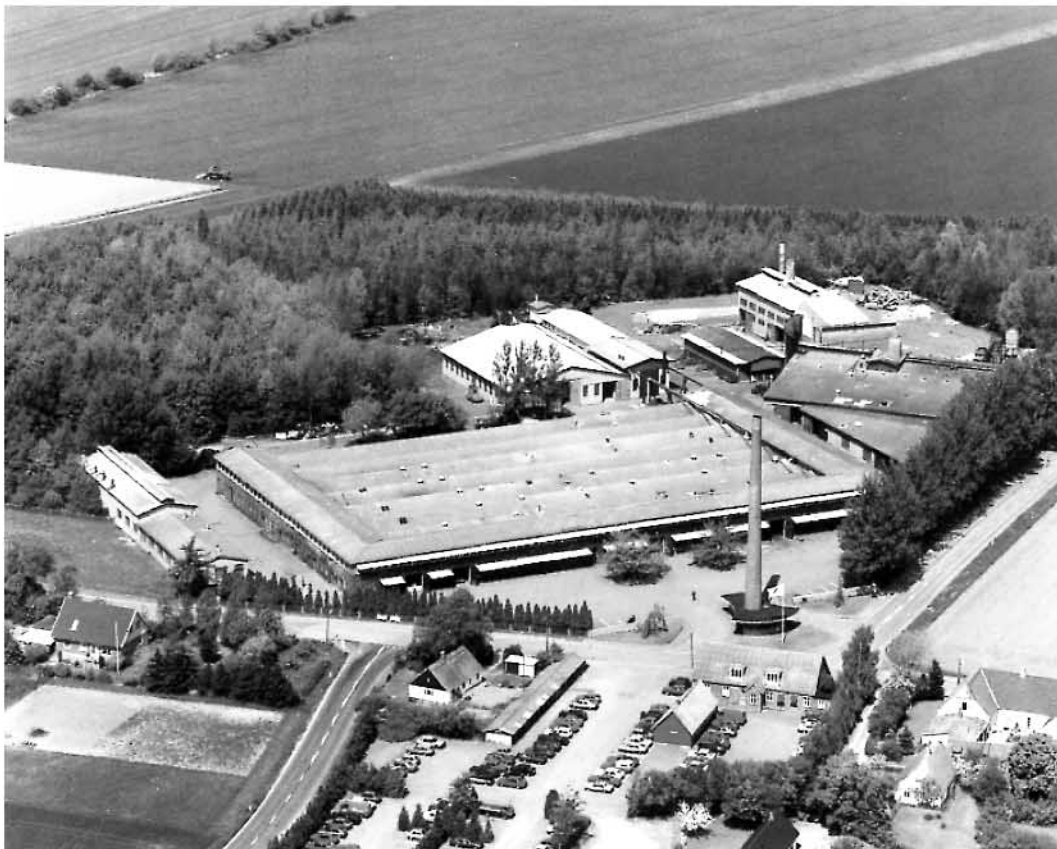


Brdr. Christensens Haner A/S is one of the world's leading manufacturers of plug valves to the oil and gas industry.

Continuous research and development ensure that our products satisfy customer specified requirements.

The PR valve manufacturing process - from raw material to the finished product - is carried out entirely in our own facilities using the latest state of the art technology and equipment.

An integrated and effective quality assurance system ensures that PR valves meet or exceed the most stringent international regulations and requirements.



The factory in skuderløse. Founded in 1942.



BRDR. CHRISTENSENS HANER A/S

Skuderløse • DK-4690 Haslev • Denmark

Tel. + 45 56 36 36 36 • Fax + 45 56 36 36 00 • Telex 40307