

DIMENSIONS

Class 125 N.R.S.

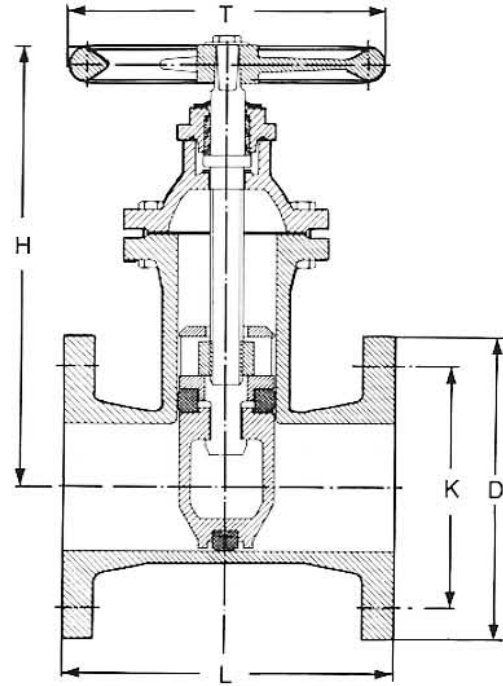
Designed for use where a limited amount of head room is available and where exposure of stem threads to the atmosphere is not desirable.

Brass nut can be replaced with one of cast iron on alkali, acid and other moderately corrosive fluids.

Face to face dimensions ANSI B16.10

Catalogue #A-1111AH (Buna N Seal)

#A-1112AH (EPDM Seal)



Size (mm)	40	50	65	80	100	125	150	200	250	300	350	400	450	500	600	750	900	1000	1200	1400
D	127	152	178	191	229	254	279	343	406	483	533	597	635	699	813	984	1168	1346	1511	1683
E	4	4	4	4	8	8	8	8	12	12	12	16	16	20	20	28	32	36	44	44
F	16	19	19	19	19	22	22	22	25	25	28	28	32	32	35	35	41	41	41	41
H	227	222	253	284	318	384	421	553	630	716	812	916	991	1066	1246	1654	1864	2259	2565	2794
K	98	121	138	152	191	216	241	299	362	432	476	540	578	635	749	914	1086	1257	1422	1594
L	165	178	191	203	229	254	267	292	330	356	381	406	432	457	508	610	711	864	914	1016
T	180	180	200	200	225	280	320	360	400	400	500	500	640	640	720	800	800	900	1000	1200

Size (in.)	1½	2	2½	3	4	5	6	8	10	12	14	16	18	20	24	30	36	42	48	54
D	5	6	7	7½	9	10	11	13½	16	19	21	23½	25	27½	32	38¾	46	53	59½	66¼
E	4	4	4	4	8	8	8	8	12	12	12	16	16	20	20	28	32	36	44	44
F	5/8	¾	¾	¾	¾	7/8	7/8	7/8	1	1	1½	1½	1¼	1¼	1¾	1¾	1½	1½	1½	1½
H	8¾	8¾	10	11½	12½	15½	16½	21¾	24¾	28½	32	36	39	42	49	65½	73¾	88¾	101	110
K	3¾	4¾	5½	6	7½	8½	9½	11¾	14¼	17	18¾	21¼	22¾	25	29½	36	42¾	49½	56	62¾
L	6½	7	7½	8	9	10	10½	11½	13	14	15	16	17	18	20	24	28	34	36	40
T	7½	7½	7¾	7¾	8¾	11	12½	14½	15¾	15¾	19½	19½	25¼	25¼	28¾	31½	31½	35¾	39¾	47¼

NOTE: E = number of holes F = hole diameter

SEGURO

LARGE
RESILIENT
SEAL
GATE
VALVE



SEGURO

LARGE
RESILIENT
SEAL
GATE
VALVE

DIMENSIONS

Class 125 OS & Y

Recommended for shut-off control of most fluids and gases. On special order also including certain alkalis, chemicals and other moderately corrosive fluids. Since the stem threads do not contact the line medium, the Seguro is suitable to applications where the medium could have a destructive influence on the threads.

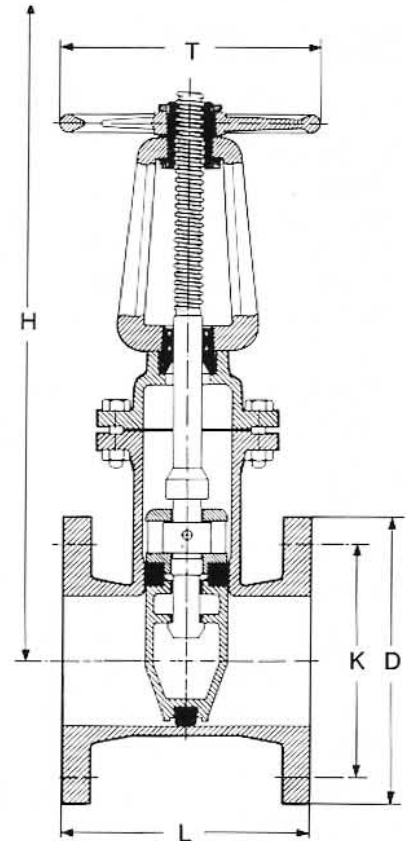
The rising stem serves as an indicator.

The yoke, yoke screw and stem are of heavy construction, designed for easy cleaning and re-packing of the valve under pressure.

Face to Face Dimensions ANSI B16.10

Catalogue #A-1111BH (BUNA N Seal)

#A-1112BH (EPDM Seal)



Size (mm)	40	50	65	80	100	125	150	200	250	300	350	400	450	500	600	750	900	1000	1200	1400
D	127	152	178	191	229	254	279	343	406	483	533	597	635	699	813	984	1168	1346	1511	1683
E	4	4	4	4	8	8	8	8	12	12	12	16	16	20	20	28	32	36	44	44
F	16	19	19	19	19	22	22	22	25	25	28	28	32	32	35	35	41	41	41	41
H	354	349	439	486	555	678	778	1002	1187	1379	1580	1769	1949	2125	2529	3340	3760	4470	5054	5486
K	98	121	140	152	191	216	241	299	362	432	476	540	578	635	749	914	1086	1257	1422	1594
L	165	178	191	203	229	254	267	292	330	356	381	406	432	457	508	610	711	864	914	1016
T	180	180	200	200	225	280	320	360	400	400	500	500	640	640	720	800	800	900	990	1200

Size (in.)	1½	2	2½	3	4	5	6	8	10	12	14	16	18	20	24	30	36	42	48	54
D	5	6	7	7½	9	10	11	13½	16	19	21	23½	25	27½	32	38¾	46	53	59½	66¼
E	4	4	4	4	8	8	8	8	12	12	12	16	16	20	20	28	32	36	44	44
F	5/8	¾	¾	¾	¾	7/8	7/8	7/8	1	1	1½	1½	1¼	1¼	1¾	1¾	1⅝	1⅝	1⅝	1⅝
H	13¾	13¾	17¼	19½	21⅞	26⅝	30⅝	39⅜	46¾	54¼	62⅞	69⅝	76¾	83⅝	99½	131½	148	176	199	216
K	3⅞	4¾	5½	6	7½	8½	9½	11¾	14¼	17	18¾	21¼	22¾	25	29½	36	42¾	49½	56	62¾
L	6½	7	7½	8	9	10	10½	11½	13	14	15	16	17	18	20	24	28	34	36	40
T	7⅞	7⅞	7⅞	7⅞	8⅞	11	12⅝	14⅞	15¾	15¾	19⅝	19⅝	25¼	25¼	28⅞	31½	31½	35⅝	39⅝	47¼

NOTE: E = number of holes F = hole diameter



Exclusive North American Distributors: NEO Valves, Toronto, Canada

DIMENSIONS

Class 125 Mechanical Joint Ends

Mechanical Joint Seguro Gate Valves are primarily designed for underground buried service, mainly watermains. Mechanical Joint offer in addition to a drop tight connection, deflection, as well as longitudinal expansion and contraction of the cast iron pipe without leakage.

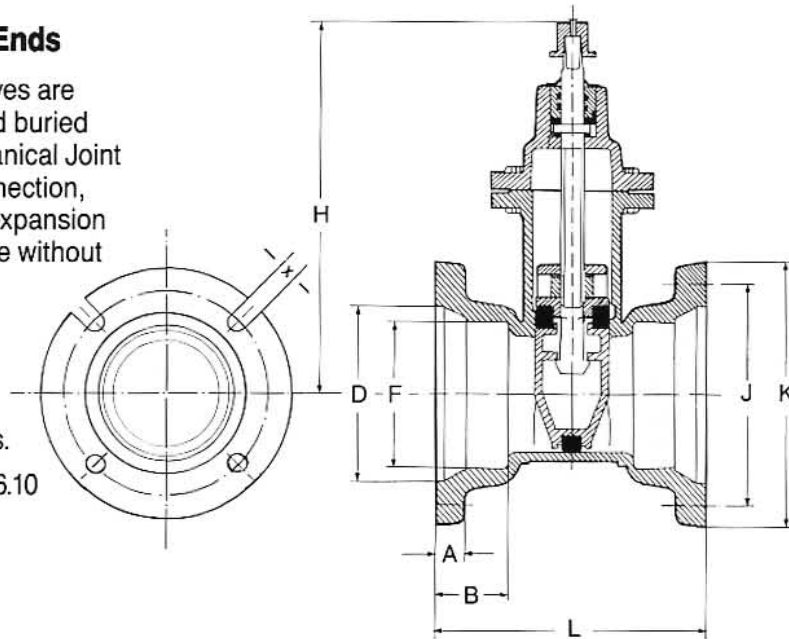
A 2 inch square operating nut is supplied as standard equipment.

Also available are floorstands, extension stems, plus other options.

Face to Face Dimensions ANSI B16.10

ENDS ANSI/AWWA C111/A21.11-80

Catalogue #A-4111A (Buna N Seal)
#A-4112A (EPDM Seal)



Size (mm)	100	150	200	250	300	350	400	450	500	600	750	900	1050	1200
A	25	27	29	30	32	33	35	37	38	41	46	51	51	51
B	60	64	64	73	80	89	89	89	89	89	102	102	102	102
C*	4	6	6	8	8	10	12	12	14	16	20	24	28	32
D	153	207	261	313	367	420	473	527	580	687	850	1010	1167	1327
F	124	178	232	284	338	392	446	499	552	659	817	977	1135	1205
H	315	418	550	627	713	809	913	988	1063	1243	1651	1861	2259	2609
J	191	241	298	356	413	476	533	591	648	762	937	1111	1286	1461
K	230	281	338	397	454	514	572	629	686	800	994	1168	1349	1524
L	229	267	292	330	356	381	406	432	457	508	610	711	813	914
X*	22	22	22	22	22	22	22	22	22	22	29	29	35	35

Size (in.)	4"	6"	8"	10"	12"	14"	16"	18"	20"	24"	30"	36"	42"	48"
A	1.00	1.06	1.13	1.19	1.25	1.31	1.38	1.44	1.50	1.63	1.81	2	2	2
B	2.38	2.50	2.50	2.88	3.13	3.50	3.50	3.50	3.50	3.50	4	4	4	4
C*	4	6	6	8	8	10	12	12	14	16	20	24	28	32
D	6.02	8.13	10.27	12.34	14.44	16.54	18.64	20.74	22.84	27.04	33.5	39.8	46	52.3
F	4.90	7.00	9.15	11.20	13.30	15.44	17.54	19.64	21.74	25.94	32.2	38.5	44.7	47.4
H	12.50	16.50	21.50	24.50	28.00	32.00	36.00	39.00	42.00	49.00	65	73.3	88.9	102.7
J	7.50	9.50	11.75	14.00	16.25	18.75	21.00	23.25	25.50	30.00	36.9	43.8	50.6	57.5
K	9.06	11.06	13.31	15.62	17.88	20.25	22.50	24.75	27.00	31.50	39.1	46	53.1	60
L	9.00	10.50	11.50	13.00	14.00	15.00	16.00	17.00	18.00	20.00	24	28	32	36
X*	7/8	7/8	7/8	7/8	7/8	7/8	7/8	7/8	7/8	7/8	1 1/8	1 1/8	1 3/8	1 3/8

*NOTE: X = size of bolt holes C = number of holes and slots

Exclusive North American Distributors: NEO Valves, Toronto, Canada

SEGURO

LARGE
RESILIENT
SEAL
GATE
VALVE

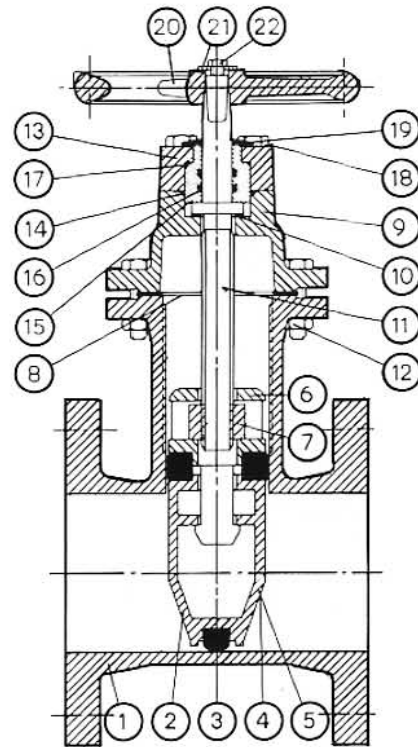


SEGURO

PARTS LIST

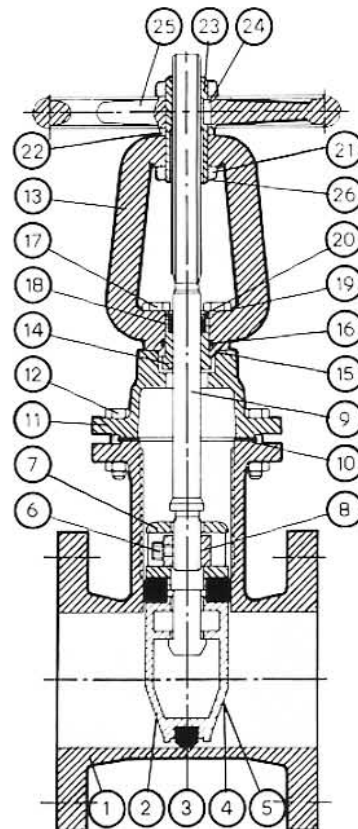
NRS

No.	Part	Material
1	Body	Ductile Iron, Cast Iron
2	Wedge	Cast Iron
3	Rubber Seal	Buna N, EPDM
4	Washer	Nylon
5	Screw	Stainless Steel
6	Pressure Piece	Cast Iron
7	Stem Nut	Brass
8	Gasket	CAF 201
9	Bonnet	Cast Iron, Ductile Iron
10	Washer	Teflon
11	Stem	AISI 420
12	Hexagon Bolts	Steel Hot Zinc
13	O-Rings Piece	Cast Iron
14	O-Ring	Buna N
15	Bushing	Nylon or Bronze
16	O-Rings	Buna N
17	O-Ring (size 350 mm and bigger)	Buna N
18	Hexagon Bolts	Steel Hot Zinc
19	Washer	Rubber
20	Handwheel	Cast Iron
21	Washer	Steel
22	Hexagon Bolt	Steel Hot Zinc



OS & Y

No.	Part	Material
1	Body	Ductile Iron, Cast Iron
2	Wedge	Cast Iron
3	Rubber Seal	Buna N, EPDM
4	Washer	Nylon
5	Scw	Stainless Steel
6	Screw	Stainless Steel
7	Pressure Piece	Cast Iron
8	Stem Nut	Brass
9	Stem	AISI 420
10	Gasket	CAF 201
11	Bonnet	Cast Iron, Ductile Iron
12	Hexagon Bolts	Steel Hot Zinc
13	Yoke	Cast Iron
14	Bushing	Brass
15	O-Ring	Buna N
16	O-Ring	Buna N
17	Hexagon Bolts	Steel Hot Zinc
18	U-Packing	Buna N
19	Washer	Brass
20	Snap Ring	Stainless Steel
21	Nut	Brass
22	Bearing Ring	Bronze
23	Top Stem Nut	Brass
24	Nut Key	Steel
25	Handwheel	Cast Iron
26	Pointed Screw	Stainless Steel



LARGE
RESILIENT
SEAL
GATE
VALVE