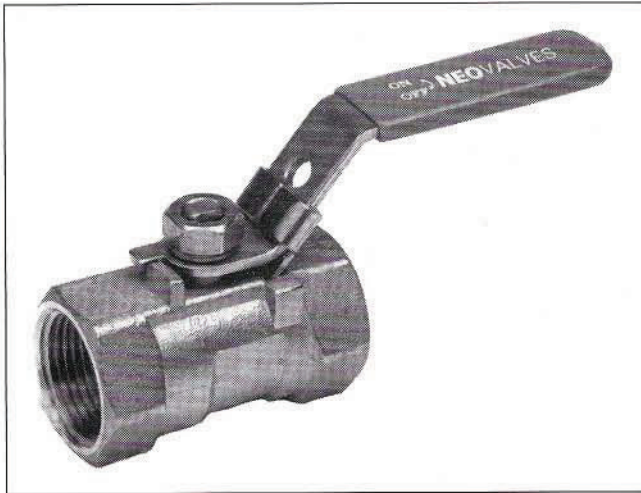


800 PSI STAINLESS STEEL BALL VALVES

One-Piece Standard Bore



CAT. NO. 1100



- For chemical and industrial service applications
- Blow-out-proof stem design
- Body quality investment casting
- Standard padlocking device

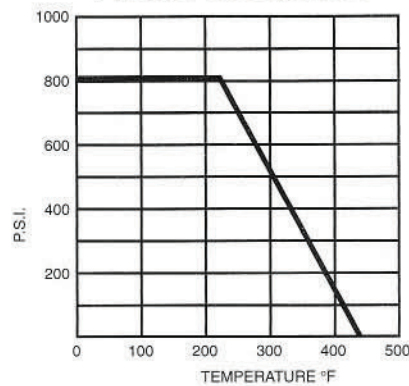
SPECIFICATIONS

- Pressure Rating: 800 psi WOG
- End Types: NPT

CAT. NO. 1100

Standard Bore $\frac{1}{4}$ " - 2"

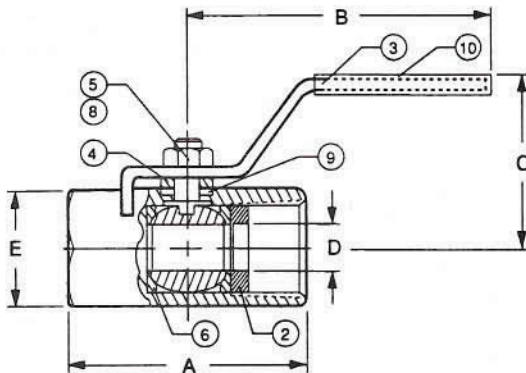
Pressure vs. Temperature



Material List

No.	Part Name	Specification
1	Body	A351 CF8M
2	Insert	A479 CF8M
3	Handle	A479 304
4	Gland	A479 304
5	Stem	A479 316
6	Seat Ring	REINFORCED PTFE *
7	Ball	A479 316
8	Handle Nut	A479 304
9	Thrust Washer	PTFE *
10	Handle Sleeve	VINYL

* DuPont Reg. T.M.



DIMENSIONS (in.)

Size	A	B	C	D	E
$\frac{1}{4}$ "	1.65	2.36	1.23	0.20	0.71
$\frac{3}{8}$ "	1.77	3.15	1.57	0.31	0.87
$\frac{1}{2}$ "	2.09	3.15	1.67	0.37	1.02
$\frac{3}{4}$ "	2.32	3.94	2.02	0.50	1.26
1"	2.68	3.94	2.14	0.63	1.50
$1\frac{1}{4}$ "	3.07	5.90	2.49	0.77	1.89
$1\frac{1}{2}$ "	3.39	5.90	2.81	0.98	2.16
2"	3.86	5.90	3.00	1.26	2.68

