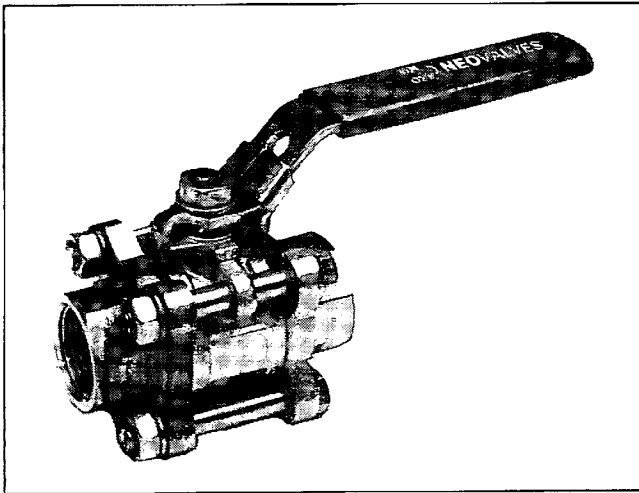


1000 PSI STAINLESS STEEL BALL VALVES



Three-Piece Bolted/In-Line Maintenance
FULL BORE

CAT. NO. 2100

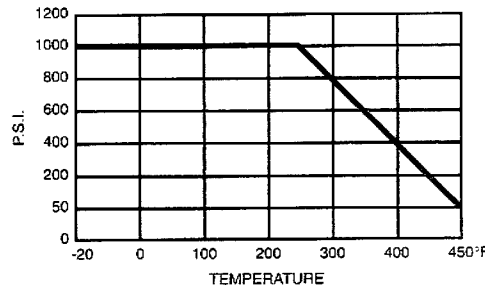


- For food and chemical service applications
- Adjustable stem packing
- Blow-out-proof stem design
- Body and end caps quality investment casting
- In-line repairable
- Padlocking Devices
- SUITABLE FOR ACTUATION

SPECIFICATIONS

- Pressure Rating: 1000 psi WOG
- End Types: NPT

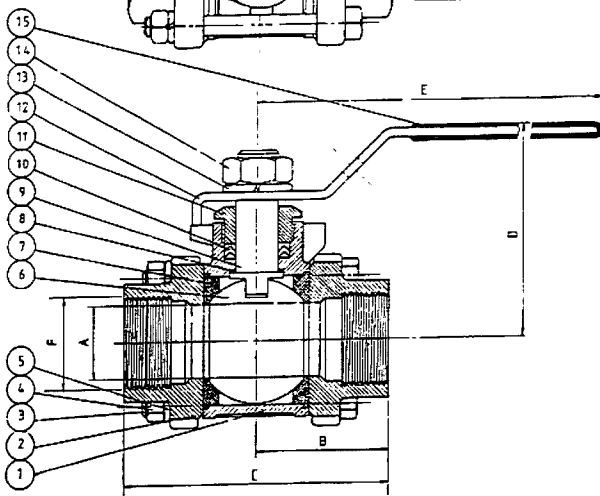
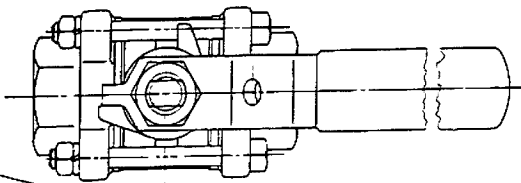
CAT. NO. 2100
Full Bore $\frac{1}{4}$ " - 3"



Material List

No.	Part Name	Specification	QTY.
1	Body	ASTM-A351-GRADE-CF8M	1
2	End Caps	ASTM-A351-GRADE-CF8M	1
3	Body Bolts	SS304	4
4	Body Nuts	SS304	4
5	Bolt Washers	SS304	4
6	Ball	SS316	1
7	Seat Ring	REINFORCED TFE *	2
8	Thrust Washer	REINFORCED TFE *	1
9	Stem	SS316	1
10	Stem Packing	TEFLON	3
12	Handle	SS304	1
13	Handle Washer	SS304	1
14	Handle Nut	SS304	1
13	Plastic Cover	PLASTIC	1

* DuPont Reg. T.M.



DIMENSIONS (mm)

Size	A	B	C	D	E	F
$\frac{1}{4}$ "	11.6	32	64	48	96	$\frac{1}{4}$ NPT
$\frac{3}{8}$ "	12.7	32	64	48	96	$\frac{1}{4}$ NPT
$\frac{1}{2}$ "	15.9	35.5	71	54	124	$\frac{1}{2}$ NPT
$\frac{3}{4}$ "	20.6	42	84	57	124	$\frac{3}{4}$ NPT
1"	25.4	47	94	64	142	1 NPT
$1\frac{1}{4}$ "	31.8	56	112	70	142	$1\frac{1}{4}$ NPT
$1\frac{1}{2}$ "	38.1	60.5	121	86	202	$1\frac{1}{2}$ NPT
2"	50.8	71	142	93	202	2 NPT
$2\frac{1}{2}$ "	65.0	87	174	139	250	$1\frac{1}{2}$ NPT
3"	80	97	204	150	250	2 NPT



NEOVALVES Ltd.

51 Terecar Drive, Unit 2, Vaughan, ON L4L 0B5 • Phone 1.888.515.8885 Fax: 1.800.606.7636 www.neovalves.com

* Note: Due to continuous development of our range of valves, we reserve the right to alter the dimensions and information contained in all our literature as required.