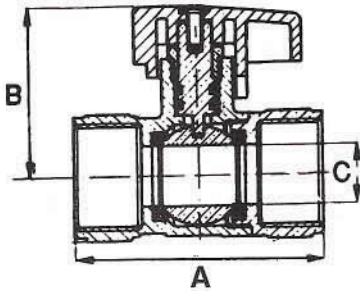
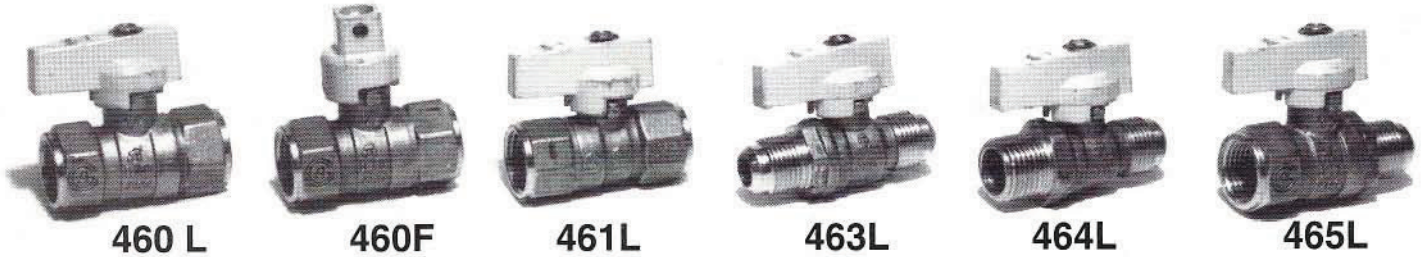




GAS BALL VALVE

CGA APPROVED

CAT. #460/#461/#463/#464/#465



COMPONENTS

| NAME | MATERIALS |
|--------|---------------------|
| Body | Forged Brass Rod |
| Ball | Chrome Plated Brass |
| Seat | PTFE |
| Handle | Aluminum |

- Wide Selection of End Connections
- C.G.A. certified 9.1, 9.2, 3.16 (460 L/F)
- (Appliance Valves, Gas Appliance Shutoff)
- Rated for minus 40° C service
- Suitable for natural gas and propane gas services
- Additional certifications: ANSI Z21.15, IAS3-88,
- Available as NPT (460, 461), NPT x Flare (465),
- Flare x Flare (463), MIP x Flare (464)
- 460L/F rated for 125 PSI for natural and propane gases (C.S.A. 3.16)

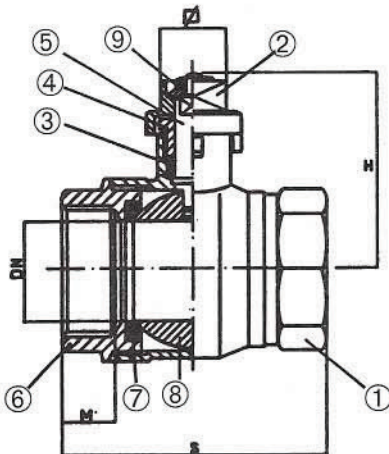
DIMENSIONS (model 460L/F)

| | A | B | C |
|------|------|------|----|
| 1/2" | 56.2 | 42.3 | 12 |
| 3/4" | 59.8 | 43.8 | 15 |

SIZE AVAILABILITY

| | |
|-----------|---|
| 460L/460F | 1/2", 3/4" - NPT ends |
| 461L | 1/2" - NPT ends |
| 463L | 3/8", 1/2", 5/8" - Both ends are Flared |
| 464L | 1/2" -M.I.P. x 1/2" Flare |
| 465L | 1/2" NPT x 3/8" Flare, 1/2" NPT x 1/2" Flare, 3/4" NPT x 5/8" Flare |

#425F GAS BALL VALVE - CGA APPROVED

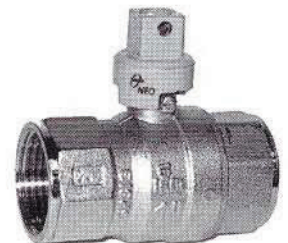


RATINGS:

- C.S.A. 3.16
- 600 WOG (125 PSI for natural and propane gases)
- Minus 40° C Service

| No. | Part Name | Material |
|-----|-----------------|---------------------|
| 1 | Body | Chrome Plated Brass |
| 2 | Head Square Key | |
| 3 | Metal Ring | |
| 4 | O-Rings (2) | NBR |
| 5 | Stem | Brass |
| 6 | Connector | Chrome Plated Brass |
| 7 | Seat | PTFE (Teflon) |
| 8 | Ball | Chromed |
| 9 | Handle Screw | Steel |

425F (1" - 2")



Flat Head

| | DN | M | S | H |
|--------|------|------|-------|----|
| 1" | 23.5 | 19 | 75 | 57 |
| 1 1/4" | 30 | 20 | 86 | 60 |
| 1 1/2" | 37 | 20 | 95.5 | 70 |
| 2" | 47 | 20.5 | 108.5 | 77 |

Note: Due to continuous development of our range of valves, we reserve the right to alter the dimensions and information contained in all our literature as required.

