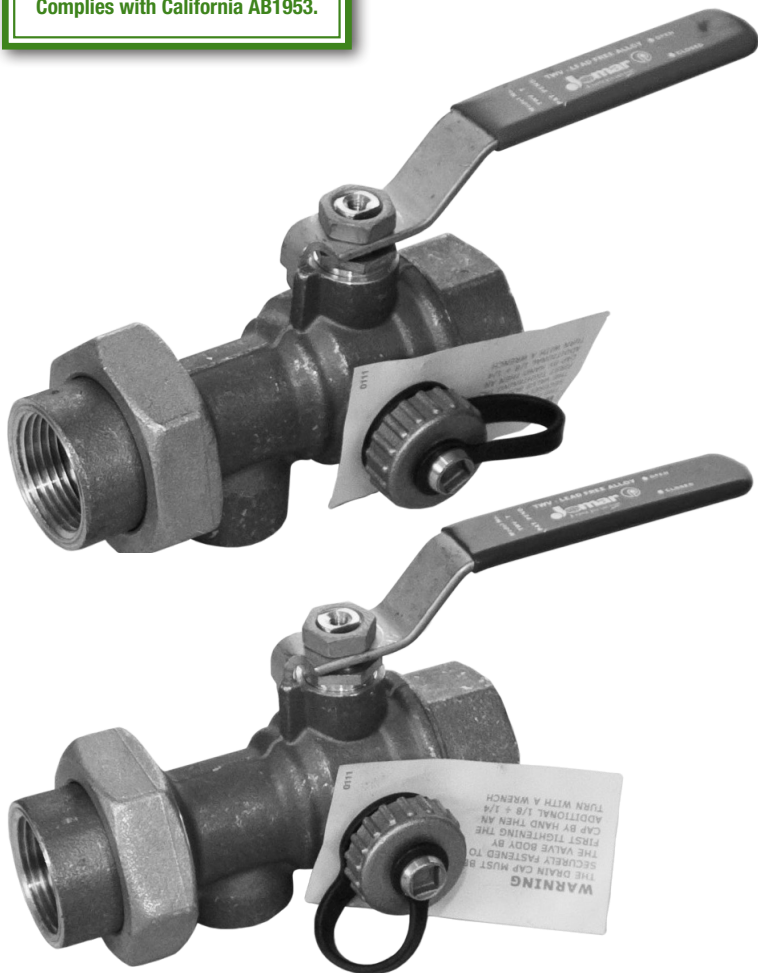


TWV-3W-KIT-G



1" Lead Free Tankless Water Heater Valve Kit

Lead Free Brass!
Complies with California AB1953.



Description

Each kit includes two 1/4 turn, lever operated, hot forged special LEAD FREE brass alloy, 3-way, color coded ball valves. Two-piece design. Made in Italy. Complies with California AB1953.

Features

- Designed for easy installation of tankless water heaters.
- Quality comes standard...manufactured in Italy
- 600 WOG
- Forged special LEAD FREE brass alloy complies with California AB1953
- Quarter-turn operation
- Standard port
- Color coded hot and cold lever handles
- Unique, T.E.A. Ternary Eco Alloy® coated 3-way style ball
- Double Viton® O-Rings with Teflon packing and packing nut guarantees no stem leaks
- U.S.A. patent pending

Approvals

- California code AB1953 - NSF 61 Annex G APPROVED - requires less than 0.25% lead in plumbing products used to convey drinking water in water utility distribution pipes and in consumer plumbing fixtures.

Warranty

The Company, for a period of one year from the date of shipment, warrants each product or system of its own manufacture to the original purchaser to be free from defects in material and workmanship under normal use, service and maintenance.

Architect/Engineer approval	
Job Name _____	Date _____
Model Specified _____	Quantity _____
Variations Specified _____	
Customer/Wholesaler _____	
Contractor _____	
Architect _____	

Note: Information subject to change without notice.

Jomar Valve
7243 Miller Drive
Warren, MI 48092
Phone: 800-325-5690
Fax: 800-628-4194
www.jomarvalve.com



© Copyright 2012 Printed in U.S.A.
0112

1" Lead Free Tankless Water Heater Valve Kit



Description

Each kit includes two 1/4 turn, lever operated, hot forged special LEAD FREE brass alloy, 3-way, color coded ball valves. Two-piece design. Made in Italy. Complies with California AB1953.

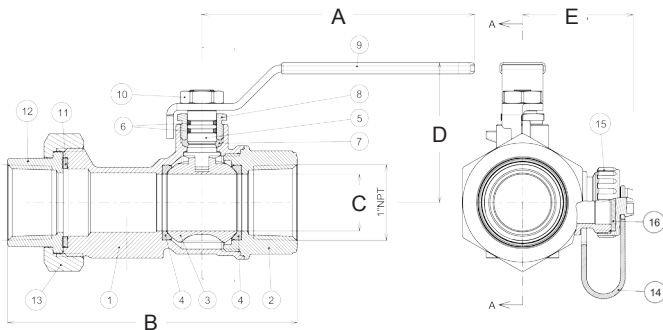
Dimensions in Inches

Comp. No.	Valve Size	A	B	C	D	E
810-505G (1" Threaded Kit)						
810-525G	1" TWV-3W-TH	3.74	3.87	0.98	2.42	1.92
810-535G	1" TWV-3W-TC	3.74	3.87	0.98	2.42	1.92

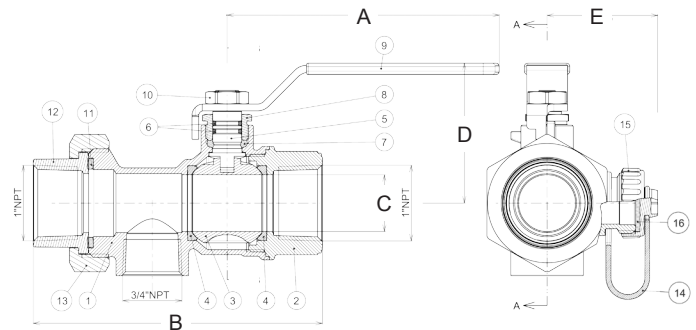
Materials Specifications

No.	Part Name	Materials
1	Body	Lead Free Forged Brass - OT57 USA
2	End Female Connection	Lead Free Forged Brass - OT57 USA
3	Special Ball	T.E.A.® Ternary Eco Alloy Coated, Lead Free Forged Brass - OT57 USA
4	Seat (2)	PTFE (Teflon)
5	Stem	Brass
6	O-Ring (2)	Viton®
7	Packing	PTFE (Teflon)
8	Gland	Brass
9	Lever Handle	Dacromet Steel with PVC Grip
10	Nut	Dacromet Steel
11	Gasket	EPDM
12	Female Tail	Lead Free Forged Brass - OT57 USA
13	Nut	Forged Brass ASTM C37000
14	Lace	PVC
15	Cap	Lead Free Forged Brass - OT57 USA
16	Gasket	NBR

MODEL NO.
TWV-3W-TC (COLD)



MODEL NO.
TWV-3W-TH (HOT)



Note: Information subject to change without notice.



Jomar Valve
7243 Miller Drive
Warren, MI 48092
Phone: 800-325-5690
Fax: 800-628-4194
www.jomarvalve.com

© Copyright 2012 Printed in U.S.A.
0112