

# 2500 Series

2 piece • Full Port • Stainless Steel • Up to 2000 WOG



2500 Series

### Features

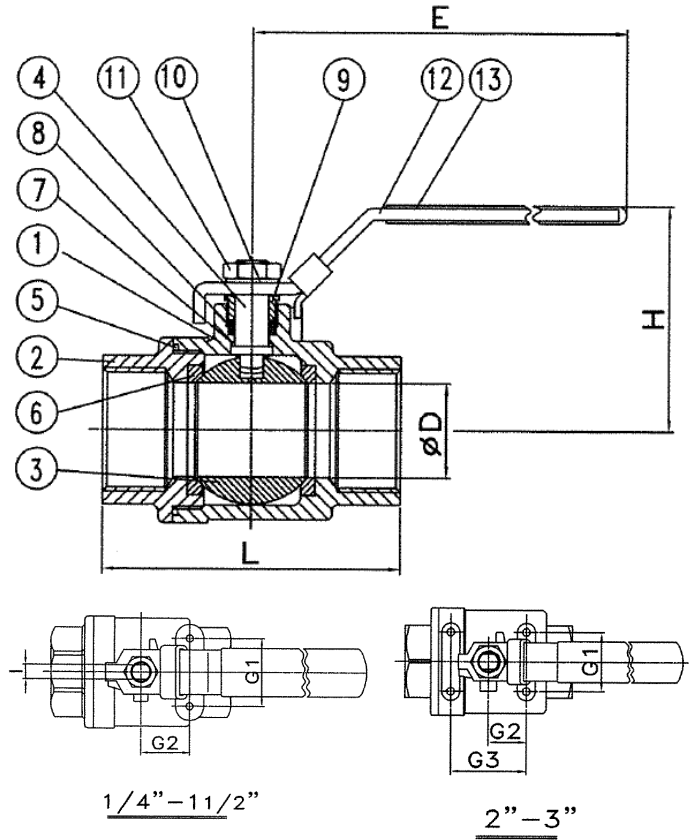
- Stainless Steel Body
- Blow-out proof stem
- NPT Connections
- Minus 40°C Service
- Durable reinforced handle design
- NPT - Available in 1/4" up to 3"

### Approvals

- CSA 3.16

### Valve Seat Rating

- 2000 WOG



### Material Specifications

No.	Part	Materials
1	Body	ASTM-CF8M-A351
2	Body Cap	ASTM-CF8M-A351
3	Ball	ASTM-CF8M-A351
4	Stem	AISI 316
5	Body Seat	PTFE
6	Seat	TFM1600
7	Thrust Washer	PTFE
8	Packing	PTFE
9	Gland Nut	AISI 304
10	Stem Washer	AISI 304
11	Stem Nut	AISI 304
12	Handle	AISI 304
13	Cover	Plastic

### Dimensions

Size	D	E	H	I	L	G1	G2	G3
1/4"	0.46	4.04	1.97	0.2	2.17	1.12	0.5	-
3/8"	0.49	4.04	1.97	0.2	2.17	1.12	0.5	-
1/2"	0.59	5.24	2.28	0.25	2.56	1.12	0.5	-
3/4"	0.79	5.24	2.32	0.25	2.95	1.38	0.88	-
1"	0.98	6.02	2.72	0.31	3.5	1.38	0.88	-
1-1/4"	1.26	6.02	2.95	0.31	3.98	1.5	1	-
1-1/2"	1.5	7.52	3.27	0.37	4.29	1.5	1	-
2"	1.97	7.52	3.58	0.37	4.88	1.5	1	2
2-1/2"	2.56	9.72	5.04	0.47	6.3	2.17	1.38	2.76
3"	3.15	9.72	5.39	0.47	6.93	2.17	1.38	2.76