

460 Series

2 piece • Standard Port • Forged Brass Body • 600 WOG




2500 Series

Features

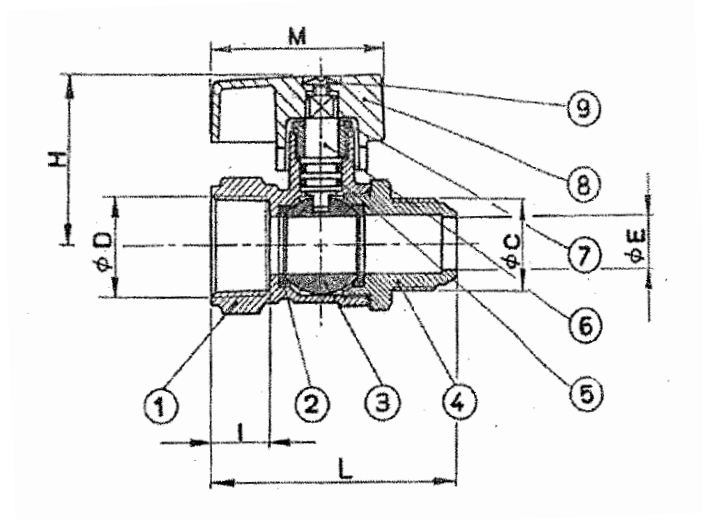
- Chrome plated brass ball
- PTFE ball seats
- Aluminum handle
- Available as NPT, NPT x Flare, Flare x Flare, and MIP x Flare

Approvals

- CSA 3.16 

Valve Seat Rating

- 2000 WOG
- 32° - 230°F



Material Specifications

No.	Part	Materials
1	Body	C37700
2	Seat	PTFE
3	Ball	C37700 - Chrome Plated
4	Union	C37700
5	O-ring	NBR
6	Stem	C38500
7	Washer	C38500
8	Handle	Aluminum
9	Screw	A283 - Zinc Coated

Dimensions

ØD	ØC	ØE	I	M	H	L
1/2"	9/16"	0.24	0.61	1.81	1.67	2.38
1/2"	3/8"	0.24	0.61	1.81	1.67	2.42
1/2"	1/2"	0.39	0.61	1.81	1.67	2.74
3/4"	3/4"	0.51	0.63	1.81	1.75	2.76